

# VS1 Explosion-proof visual-audible signalling sounder

- For universal industrial use
- Certified for gas hazardous areas of zone 1 and 2
- Several tones/intermittent tone frequencies can be selected
- 2× 1 J strobe energy

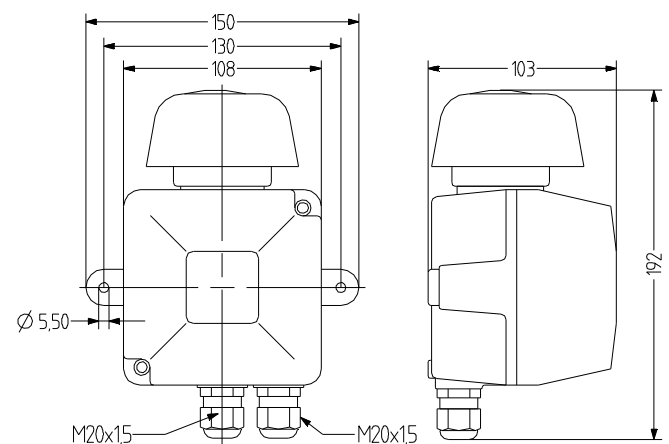
- Die-cast aluminium housing
- 5 lens colours
- Degree of protection IP 66
- Encapsulation "m"
- Terminal connection chamber "increased safety e"
- 230 V AC power supply

II 2 G Ex e mb [ib] IIC T6/T5/T4 Gb  
 -20 °C ≤ Ta ≤ +40 °C/+50 °C/+60 °C  
 Zone 1, 2



## TECHNICAL DATA

audible signal transmitter	Loudspeaker
visual signal transmitter	2 flashtubes with 1 J
Tone ringing volume	90 dB
Mains connection	230 V AC -15% +10%, 50/60 Hz
Type of ignition protection	≤ 60 min at Ta +60°C ≤ 15 min at 60 Hz (30 min pause)
Telephone connection	30 V AC - 75 V AC 23-54 Hz 0-63 V DC
Housing	Die-cast aluminium black (RAL 9005)
Lens	Polycarbonate, orange, red, clear, blue or green
Type of mounting	Wall mounting or Ceiling mounting
Cable entry	2× cable glands M20 × 1.5 6-12 mm (main circuit) 5-10 mm (telephone circuit)
Connection technology	up to 1.5 mm² single or fine wire
Strobe/flash frequency	1-2 Hz
Tone	3 Tones, One tone, Two tones or Three tones Can be adjusted with DIP switch
Duty cycle	≤ 60 min at Ta +60°C; ≤ 15 min at 60 Hz (30 min pause)
Operating temperature	-20 °C / +60 °C
Degree of protection	IP66
Approval	PTB 04 ATEX 2012
Weight	1,42 kg



# VS1

## ORDER DATA

Lens colour	Order number
orange	410 101 005
red	410 102 005
clear	410 104 005
blue	410 105 005
green	410 106 005

