



# LOW-VOLTAGE CURRENT TRANSFORMERS



# LUMEL

For over sixty years we have been providing you with all what you need, working in accordance with the highest standards. Every day thousands of our clients all over the world get our safe and user-friendly products. It wouldn't be possible without power and skills of our best specialists. We remember about every single detail

b e c a u s e

EVERYTHING COUNTS

Current transformers summary.....	4
General overview of current transformers.....	5
Instrument security factor.....	7
LCTM - wound primary series.....	11
LCTR - round conductor series.....	13
LCTB 45 - busbar series.....	14
LCTB 50 - busbar series.....	15
LCTB 62 - busbar series.....	17
LCTB 74 - busbar series.....	19
LCTB 86 - busbar series.....	21
LCTB 100 - busbar series.....	22
LCTB 104 - busbar series.....	23
LCTB 140 - busbar series.....	24
LCTB 225 - busbar series.....	26
LCTS - split core.....	27
LCTP - 3-phase current transformers.....	27
Accessories.....	30



**DISPATCH WITHIN 48H:**  
 check our stock at: [www.lumel.com.pl](http://www.lumel.com.pl)

# CURRENT TRANSFORMERS SUMMARY

Busbar dimensions	Transformer type	Page no.	Range of primary currents									
			Class 0.25		Class 0.2		Class 0.55		Class 0.5		Class 1	
			min	max	min	max	min	max	min	max	min	max
<b>Wound primary series</b>												
N/A	LCTM 62/W(40)	11	-	-	1 A	30 A	-	-	1 A	30 A	1 A	30 A
N/A	LCTM 74/W(40)	11	-	-	1 A	60 A	-	-	1 A	60 A	1 A	60 A
<b>Current transformers with window for round conductor or busbar</b>												
∅ 14	LCTR 45/14(40)	13	-	-	-	-	-	-	80 A	300 A	30 A	300 A
∅ 14	LCTR 50/14(30)	13	-	-	-	-	-	-	100 A	300 A	40 A	300 A
∅ 14	LCTR 50/14(50)	13	-	-	-	-	-	-	50 A	300 A	30 A	300 A
∅ 22	LCTR 62/R(40)	13	-	-	100 A	600 A	-	-	75 A	600 A	50 A	600 A
∅ 20 / 20 x 10	LCTB 45/21(40)	14	-	-	-	-	-	-	80 A	400 A	50 A	400 A
∅ 21 / 20 x 10	LCTB 50/21(30)	15	-	-	-	-	-	-	80 A	400 A	40 A	400 A
∅ 26 / 30 x 10	LCTB 50/30(30)	15	-	-	-	-	-	-	100 A	600 A	75 A	600 A
∅ 21 / 20 x 10	LCTB 50/21(50)	15	-	-	-	-	-	-	50 A	400 A	50 A	400 A
∅ 26 / 30 x 10	LCTB 50/30(50)	15	-	-	-	-	-	-	100 A	600 A	50 A	600 A
20 x 12	LCTB 62/20(40)	17	100 A	400 A	100 A	400 A	100 A	400 A	75 A	400 A	50 A	400 A
∅ 30 / 30 x 10	LCTB 62/30(40)	17	100 A	800 A	100 A	800 A	100 A	800 A	100 A	800 A	50 A	800 A
∅ 28 / 30 x 10	LCTB 62/30(50)	17	100 A	800 A	100 A	800 A	100 A	800 A	75 A	800 A	40 A	800 A
∅ 31 / 40 x 10	LCTB 62/40(40)	17	200 A	800 A	200 A	800 A	200 A	800 A	200 A	800 A	100 A	800 A
∅ 20 / 20 x 10	LCTB 74/20(45)	19	100 A	400 A	100 A	400 A	100 A	400 A	75 A	400 A	30 A	400 A
∅ 26 / 30 x 15	LCTB 74/30(45)	19	100 A	800 A	100 A	800 A	100 A	800 A	75 A	800 A	30 A	800 A
∅ 35 / 40 x 12	LCTB 74/40(45)	19	200 A	1000 A	200 A	1000 A	200 A	1000 A	100 A	1000 A	40 A	1000 A
∅ 41 / 50 x 12	LCTB 74/50(45)	19	250 A	1000 A	250 A	1000 A	250 A	1000 A	200 A	1000 A	100 A	1000 A
∅ 36 / 40 x 10	LCTB 86/40(45)	21	100 A	1000 A	100 A	1000 A	100 A	1000 A	100 A	1000 A	50 A	1000 A
∅ 46 / 50 x 12	LCTB 86/50(45)	21	300 A	1250 A	300 A	1250 A	300 A	1250 A	120 A	1250 A	100 A	1250 A
∅ 51 / 60 x 12	LCTB 86/60(45)	21	300 A	1600 A	300 A	1600 A	300 A	1600 A	200 A	1600 A	100 A	1600 A
∅ 54 / 60 x 12	LCTB 104/60(45)	23	300 A	1600 A	250 A	1600 A	300 A	1600 A	150 A	1600 A	100 A	1600 A
∅ 65 / 80 x 12	LCTB 104/80(45)	23	750 A	2000 A	400 A	2000 A	750 A	2000 A	250 A	2000 A	200 A	2000 A
∅ 72 / 80 x 30	LCTB 140/80(45)	24	500 A	2000 A	300 A	2000 A	500 A	2000 A	200 A	2000 A	200 A	2000 A
∅ 86 / 100 x 30	LCTB 140/100H(45)	24	600 A	4000 A	400 A	4000 A	600 A	4000 A	200 A	4000 A	200 A	4000 A
124 x 93	LCTB 225/125(50)	26	1000 A	6000 A	600 A	6000 A	1000 A	6000 A	600 A	6000 A	600 A	6000 A
166 x 65	LCTB 225/167(50)	26	1500 A	7500 A	1000 A	7500 A	1500 A	7500 A	1000 A	7500 A	1000 A	7500 A
<b>Current transformers with vertical window for busbar or round conductor</b>												
41 x 103	LCTB 100/100V(45)	22	1200 A	2500 A	1000 A	2500 A	1200 A	2500 A	400 A	2500 A	400 A	2500 A
38 x 128	LCTB 100/130V(45)	22	NA	NA	1500 A	3000 A	NA	NA	400 A	3000 A	400 A	3000 A
∅ 86 / 100 x 30	LCTB 140/100V(45)	24	600 A	3000 A	400 A	3000 A	600 A	3000 A	200 A	3000 A	200 A	3000 A
70 x 130	LCTB 140/130V(45)	24	NA	NA	1000 A	5000 A	NA	NA	400 A	5000 A	400 A	5000 A
<b>Split core series</b>												
23 x 33	LCTS 93/30SC(40)	27	NA	NA	NA	NA	NA	NA	300 A	400 A	100 A	400 A
85 x 54	LCTS 125/50SC(40)	27	NA	NA	NA	NA	NA	NA	250 A	1000 A	250 A	1000 A
85 x 125	LCTS 155/80SC(40)	27	NA	NA	NA	NA	NA	NA	250 A	3000 A	250 A	3000 A
82 x 162	LCTS 195/80SC(64)	27	NA	NA	NA	NA	NA	NA	500 A	5000 A	500 A	5000 A
<b>3-phase current transformers</b>												
20 x 10	LCTP 75/ 15 (60)	28	NA	NA	NA	NA	NA	NA	150	160	100	160
20 x 10	LCTP 105/ 21 (40)	28	NA	NA	NA	NA	NA	NA	160	250	100	250
30 x 15	LCTP 140/ 31 (40)	28	NA	NA	NA	NA	NA	NA	250	630	250	630
N/A	LCTP 185/ 27 (45)	29	NA	NA	NA	NA	NA	NA	NA	NA	100	500
N/A	LCTP 185/ 37 (45)	29	NA	NA	NA	NA	NA	NA	NA	NA	300	800

# GENERAL OVERVIEW OF CURRENT TRANSFORMERS

**CURRENT TRANSFORMER** is used for measurement of electric alternating currents. When current in a circuit (primary current) is too high to directly apply to measuring instruments, a current transformer produces a reduced current (secondary current) accurately proportional to the current in the circuit, which can be conveniently connected to measuring and recording instruments. A current transformer also isolates the measuring instruments from what may be very high voltage in the monitored circuit.

Relationship between primary and secondary currents is called **rated transformation ratio**.

$$I_1 = I_2 \cdot \frac{N_2}{N_1}$$

where:  $I_1$  - primary current,  $I_2$  - secondary current,  $N_1$  - number of turns of primary winding,  $N_2$  - number of turns of secondary winding,  $N_2/N_1$  - rated transformation ratio  
Current transformers are used mainly in such a way that the cable from the measured shock or bus current passes through the main hole transformer, which is equivalent to one coil primary winding. In this case, the above equation simplifies to:

$$I_1 = I_2 \cdot N_2$$

The task is to reduce the transformer output current for currents of over 120% of measurement range, to protect against destruction of measuring devices connected to the transformer in case of surges or failures in the primary circuit.

## FEATURES:

- Wide range of accuracy classes: 0.2S, 0.2, 0.5S, 0.5, 1
- Wide range of supported primary currents, the dimensions of rails, the length of casing and hole diameters.
- Multiple mounting methods, including wall mounting, DIN rail 35mm, the conductor, a current bar.
- Shields designed to seal connections.

## GENERAL SPECIFICATION

<b>Applicable standard:</b>	IEC 61869-1/2
<b>Case:</b>	10% glass filled polycarbonate, flame retardant grades classified UL 94V-0
<b>Connection:</b>	Two connection on each side. M4 screws with self lifting clamp strap.
<b>Insulation class</b>	E (120°C max)
<b>Maximum system voltage:</b>	0.72 kV
<b>Operating frequency:</b>	50/60 Hz
<b>Rated primary rating:</b>	1 A ... 7500 A
<b>Rated secondary output:</b>	5 A or 1 A (for LCTP 3-phase current transformers only 5 A)
<b>Rated burden:</b>	1, 1.25, 1.5, 2.5, 3.75, 5, 7.5, 10, 12.5, 15, 20, 30, 45, 60, 100 VA
<b>Accuracy class:</b>	0.2, 0.2S, 0.5S – for laboratory and power measurement 0.5 – for accurate measuring 1 – for general measurement, for analog meters
<b>Ambient temperature:</b>	-20°C ... +45°C
<b>Storage temperature:</b>	-50°C ... +80°C
<b>Thermal short circuit current (I<sub>th</sub>):</b>	40 x I <sub>n</sub> for wound type 60 x I <sub>n</sub> for bus bar type
<b>Dynamic short circuit current (I<sub>dyn</sub>):</b>	2.5 x I <sub>th</sub>
<b>Instrument security factor (FS):</b>	2.5, 5, 10

## DEMAND FOR POWER MEASURING DEVICES:

CT users expect these devices fulfill two basic conditions:

- a high degree of accuracy in the nominal current,
- security functions with overloads.

In order to fulfill these stipulations it is necessary for the power of a current transformer offered to fully achieve the actual power requirements of the measurement setup. In ascertaining the actual power requirements, consideration is to be made not only of the loss of power of the appliances to be connected up, but also the losses incurred by the instrument leads.

## FEATURES:

720 V **Class**  
0.2S 0.2  
0.5S 0.5  
1

## OUTPUTS:

5 A 1 A



# GENERAL OVERVIEW OF CURRENT TRANSFORMERS

Power requirements for measuring apparatus and relays:

- Analog moving-iron meters 0.7 – 1.5 VA
- Rectifier current meters 0.001 – 0.250 VA
- Multi-range current meters 0.005 – 5.000 VA
- Current recorders 0.300-9.000 VA
- Bimetallic ammeters 2.5 – 3.0 VA
- Power meter 0.2 – 5.0 VA
- Power factor meter 2.0 – 6.0 VA
- Meters 0.4 – 1.0 VA
- Relays 0.2 – 6.0 VA
- Power transducers 0.5 VA
- Energy meters 2.5 VA

Internal losses of copper wiring:

$$P = \frac{I^2 \times 2 L}{q_{CU} \times 56} \text{ [VA]}$$

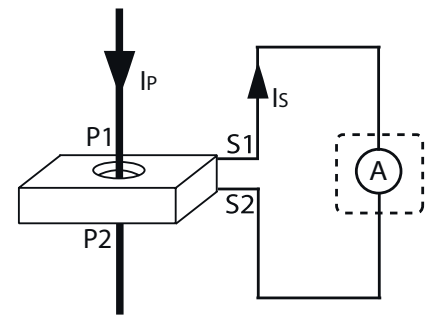
Where:

I – Secondary nominal current,

L – Distance in [m],

q<sub>CU</sub> – wire cross-section in [mm<sup>2</sup>].

**CONNECTION DIAGRAMM OF CURRENT TRANSFORMERS**



**Table for values appertaining to 5 A**

q <sub>cu</sub>	1 m	2 m	3 m	4 m	5 m	6 m	7 m	8 m	9 m	10 m
2.5 mm <sup>2</sup>	0.36	0.71	1.07	1.43	1.78	2.14	2.50	2.86	3.21	3.57
4.0 mm <sup>2</sup>	0.22	0.45	0.67	0.89	1.12	1.34	1.56	1.79	2.01	2.24
6.0 mm <sup>2</sup>	0.15	0.30	0.45	0.60	0.74	0.89	1.04	1.19	1.34	1.49
10.0 mm <sup>2</sup>	0.09	0.18	0.27	0.36	0.44	0.54	0.63	0.71	0.80	0.89

**Table for values appertaining to 1 A**

q <sub>cu</sub>	10 m	20 m	30 m	40 m	50 m	60 m	70 m	80 m	90 m	100 m
1.0 mm <sup>2</sup>	0.36	0.71	1.07	1.43	1.78	2.14	2.50	2.86	3.21	3.57
2.5 mm <sup>2</sup>	0.14	0.29	0.43	0.57	0.72	0.86	1.00	1.14	1.29	1.43
4.0 mm <sup>2</sup>	0.09	0.18	0.27	0.36	0.45	0.54	0.63	0.71	0.80	0.89
6.0 mm <sup>2</sup>	0.06	0.12	0.18	0.24	0.30	0.36	0.42	0.48	0.54	0.60
10.0 mm <sup>2</sup>	0.04	0.07	0.11	0.14	0.18	0.21	0.25	0.29	0.32	0.36

Transformer type	LCTM - wound primary series				LCTR - round conductor series				LCTB - busbar series																															
	LCTM 62/W (40)		LCTM 74W (45)		LCTR 45/14 (40)		LCTR 50/14 (30)		LCTR 50/14 (50)		LCTR 62/R (40)		LCTB 45/21 (40)		LCTB 50/21 (30)		LCTB 50/30 (30)		LCTB 50/21 (50)		LCTB 50/30 (50)		LCTB 62/20 (40)		LCTB 62/30 (40)		LCTB 62/40 (40)		LCTB 62/30 (50)											
	Class	0.2	0.5	1	0.5	1	0.5	1	0.5	1	0.5	1	0.5	1	0.5	1	0.5	1	0.5	1	0.5	1	0.5	1	0.5	1	0.5	1	0.5	1	0.5	1								
Range [A]	15	10	5	15	10	5																																		
1																																								
2.5																																								
5																																								
7.5																																								
10																																								
15																																								
20																																								
25																																								
30																																								
40																																								
50																																								
60																																								
75																																								
80																																								
100																																								
120																																								
125																																								
150																																								
200																																								
250																																								
300																																								
400																																								
500																																								
600																																								
750																																								
800																																								

Instrument security factor (FS)

# INSTRUMENT SECURITY FACTOR

Transformer type		LCTB - busbar-series																														
		LCTB 74/20 (45)			LCTB 74/30 (45)			LCTB 74/40 (45)			LCTB 74/50 (45)			LCTB 86/40 (45)			LCTB 86/50 (45)			LCTB 86/60 (45)												
Class	Range [A]	0.25	0.2	0.55	0.5	1	0.25	0.2	0.55	0.5	1	0.25	0.2	0.55	0.5	1	0.25	0.2	0.55	0.5	1	0.25	0.2	0.55	0.5	1						
<b>Instrument security factor (FS)</b>																																
30						10																										
40						10					5																					
50						10					5																					
60					5						5																					
75					15	5					5																					
80					15	5					5																					
100		5	15	5	10	5	5	15	5	10	5						5	5	10	5	10	5						5				5
120		5	15	5	10	5	5	15	5	10	5						5	5	10	5	10	5						10	5			5
125		5	15	5	10	5	5	15	5	10	5						5	5	10	5	10	5						10	5			5
150		5	15	5	10	5	5	15	5	10	5						5	5	10	5	10	5						5	5			5
200		5	10	5	5	5	5	15	5	10	5						5	5	10	5	10	5						5	5			5
250		5	10	5	5	5	5	10	5	10	5						5	5	10	5	10	5						5	5			5
300		5	10	5	5	5	5	10	5	10	5						5	5	10	5	10	5						5	5	5	5	5
400		5	10	5	5	5	10	10	10	10	5						5	5	15	10	15	5						5	5	5	5	5
500																	5	5	15	5	15	5						5	5	5	5	5
600																	5	5	10	5	10	5						5	5	5	5	5
750																	5	5	10	5	10	5						5	5	5	5	5
800																	5	5	10	5	10	5						5	5	5	5	5
1000																	5	5	10	5	10	5						5	5	5	5	5
1200																	5	5	5	5	5	5						5	5	5	5	5
1250																	5	5	5	5	5	5						5	5	5	5	5
1500																	5	5	5	5	5	5						5	5	5	5	5
1600																	5	5	5	5	5	5						5	5	5	5	5



LCTB - busbar series																				
Transformer type	LCTB 100/100V (45)		LCTB 100/130V (45)		LCTB 104/80 (45)		LCTB104/60 (45)		LCTB 140/80 (45)		LCTB 140/100H (45)		LCTB 140/100V (45)		LCTB 140/130V (45)					
	0.25	0.2	0.55	0.5	1	0.25	0.2	0.55	0.5	1	0.25	0.2	0.55	0.5	1	0.25	0.2	0.55	0.5	1
Class	Instrument security factor (FS)																			
Range [A]																				
100																				
120																				
125																				
150																				
200																				
250																				
300																				
400																				
500																				
600																				
750																				
800																				
1000																				
1200																				
1250																				
1500																				
1600																				
2000																				
2500																				
3000																				
3200																				
4000																				
5000																				

Transformer type	LCTB - busbar series										LCTA - split core series				LCTP - busbar series				LCTP - round conductor series			
	0.25	0.2	0.55	0.5	1	0.25	0.2	0.55	0.5	1	LCTA 225/167 (50)	LCTA 93/30SC (40)	LCTA 125/50SC (40)	LCTA 155/80SC (40)	LCTA 195/80SC (64)	LCTP 75/15 (60)	LCTP 105/21 (40)	LCTP 140/31 (40)	LCTP 185/27 (45)	LCTP 185/37 (45)		
Class	Instrument security factor (FS)																					
Range [A]																						
100												10	10									
125																					5	
150												10	10									10
160																						
200												10	10									10
250												10	10	10	10							
300												10	10	10	10							
400												10	10	10	10							
500												10	10	10	10							
600												10	10	10	10							
630																						
750																						
800																						
1000																						
1200																						
1250																						
1500																						
1600																						
2000																						
2500																						
3000																						
3200																						
4000																						
5000																						
6000																						
7500																						



	LCTM 62/W (40)	LCTM 74/W (45)
Depth	40 mm	45 mm
Width	62 mm	74 mm
Primary current	1 A...30 A	1 A...60 A
Secondary current	1 A, 5 A	
Accuracy class	0.2; 0.5; 1	

INPUT:

1 A  
...  
60 A

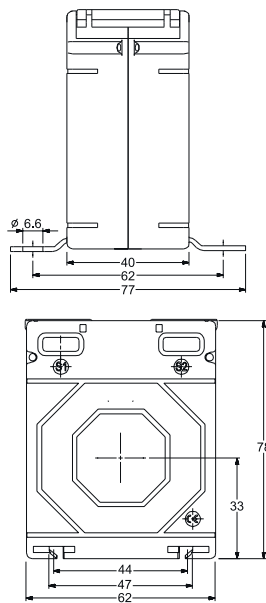
OUTPUTS:

5 A 1 A

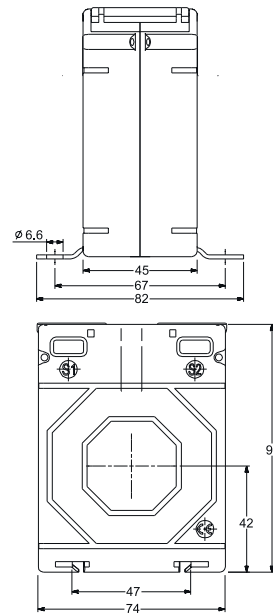


## DIMENSIONS

LCTM 62/W (40)



LCTM 74/W (45)



Transformer type	LCTM 62/W (40)			LCTM 74/W (45)		
Accuracy class	0.2	0.5	1	0.2	0.5	1
Rated primary current	Transformer burden					
1 A	1 VA	2.5 VA	5 VA	1.5 VA	5 VA	10 VA
2.5 A	1 VA	2.5 VA	5 VA	1.5 VA	5 VA	10 VA
5 A	1 VA	2.5 VA	5 VA	1.5 VA	5 VA	10 VA
7.5 A	1 VA	2.5 VA	5 VA	1.5 VA	5 VA	10 VA
10 A	1 VA	2.5 VA	5 VA	1.5 VA	5 VA	10 VA
15 A	1 VA	2.5 VA	5 VA	1.5 VA	5 VA	10 VA
20 A	1 VA	2.5 VA	5 VA	1.5 VA	5 VA	10 VA
25 A	1 VA	2.5 VA	5 VA	1.5 VA	5 VA	10 VA
30 A	1 VA	2.5 VA	5 VA	1.5 VA	5 VA	10 VA
40 A	-	-	-	1.5 VA	5 VA	10 VA
50 A	-	-	-	1.5 VA	5 VA	10 VA
60 A	-	-	-	1.5 VA	5 VA	10 VA

**ORDER**

Required data: transformer type/primary current/secondary current/power/accuracy class  
 Order example: LCTM 62/W (40) 25/5A, 5VA, cl. 1

**ACCESSORIES:**

DIN rail mounting base  
 order code: LH000-0904-130-124

# LCTR - ROUND CONDUCTOR SERIES



**INPUT:**

**30 A**  
...  
**600 A**

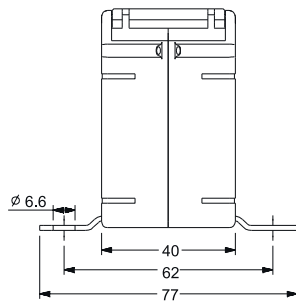
**OUTPUTS:**

**5 A**   **1 A**

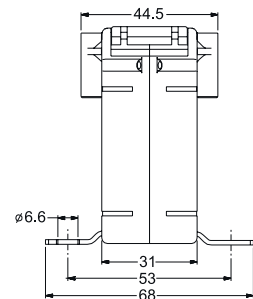
	LCTR 45/14 (40)	LCTR 50/14 (30)	LCTR 50/14 (50)	LCTR 62/R (40)
Hole diameter	∅ 14 mm	∅ 14 mm	∅ 14 mm	∅ 22 mm
Depth	40 mm	31 mm	51 mm	40 mm
Width	45 mm	50 mm	50 mm	62 mm
Primary current	30 A...300 A	40 A...300 A	30 A...300 A	50 A...600 A
Secondary current	1 A, 5 A			
Accuracy class	0.5; 1			0.2; 0.5S; 0.5; 1

## DIMENSIONS

**LCTR 45/14 (40)**



**LCTR 50/14 (30)**



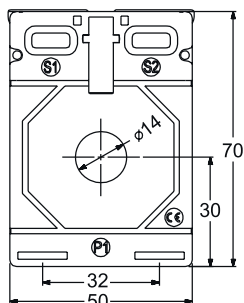
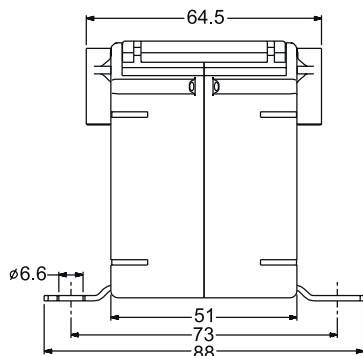
Transformer type	LCTR 45/14 (40)		LCTR 50/14 (30)	
	0.5	1	0.5	1
Accuracy class				
Rated primary current	Transformer burden			
30 A	-	1 VA	-	-
40 A	-	1 VA	-	1 VA
50 A	-	1.5 VA	-	1.5 VA
60 A	-	1.5 VA	-	1.5 VA
75 A	-	2.5 VA	-	1.5 VA
80 A	1 VA	2.5 VA	-	1.5 VA
100 A	1.5 VA	3.75 VA	2.5 VA	3.75 VA
120 A	1.5 VA	3.75 VA	2.5 VA	3.75 VA
125 A	2.5 VA	3.75 VA	2.5 VA	3.75 VA
150 A	2.5 VA	5 VA	3.75 VA	5 VA
200 A	3.75 VA	7.5 VA	3.75 VA	5 VA
250 A	5 VA	7.5 VA	5 VA	7.5 VA
300 A	5 VA	10 VA	7.5 VA	7.5 VA



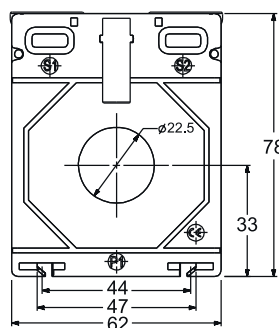
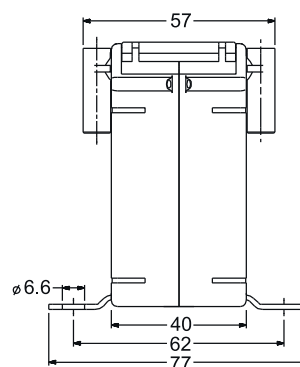
**DISPATCH WITHIN 48H:**  
check our stock at: [www.lumel.com.pl](http://www.lumel.com.pl)

## DIMENSIONS

### LCTR 50/14 (50)



### LCTR 62/R (40)



Transformer type	LCTR 50/14 (50)		LCTR 62/R (40)			
	0.5	1	0.2	0.55	0.5	1
<b>Accuracy class</b>						
<b>Rated primary current</b>	<b>Transformer burden</b>					
30 A	-	1 VA	-	-	-	-
40 A	-	1 VA	-	-	-	-
50 A	1.5 VA	1.5 VA	-	-	-	1.5 VA
60 A	1.5 VA	1.5 VA	-	-	-	2.5 VA
75 A	2.5 VA	5 VA	-	-	1.5 VA	2.5 VA
80 A	2.5 VA	5 VA	-	-	2.5 VA	2.5 VA
100 A	3.75 VA	5 VA	1.5 VA	-	2.5 VA	5 VA
120 A	3.75 VA	5 VA	1.5 VA	-	3.75 VA	5 VA
125 A	3.75 VA	5 VA	1.5 VA	-	3.75 VA	5 VA
150 A	5 VA	7.5 VA	2.5 VA	2.5 VA	5 VA	5 VA   7.5 VA
200 A	7.5 VA	10 VA	5 VA	5 VA	5 VA   7.5 VA	5 VA   10 VA
250 A	10 VA	12.5 VA	5 VA	5 VA	10 VA	15 VA
300 A	10 VA	12.5 VA	5 VA	5 VA	10 VA	15 VA
400 A	-	-	7.5 VA	7.5 VA	15 VA	15 VA
500 A	-	-	10 VA	-	15 VA	15 VA
600 A	-	-	10 VA	-	15 VA	15 VA

### ORDER

Required data: transformer type/ primary current/ secondary current/ power/ accuracy class

Order example: LCTR 50/14 (50) 100/5A, 5VA, cl. 1

### ACCESSORIES:

DIN rail mounting base  
- for details see page 25



In Stock

**DISPATCH WITHIN 48H:**

check our stock at: [www.lumel.com.pl](http://www.lumel.com.pl)



**INPUT:**

50 A  
...  
400 A

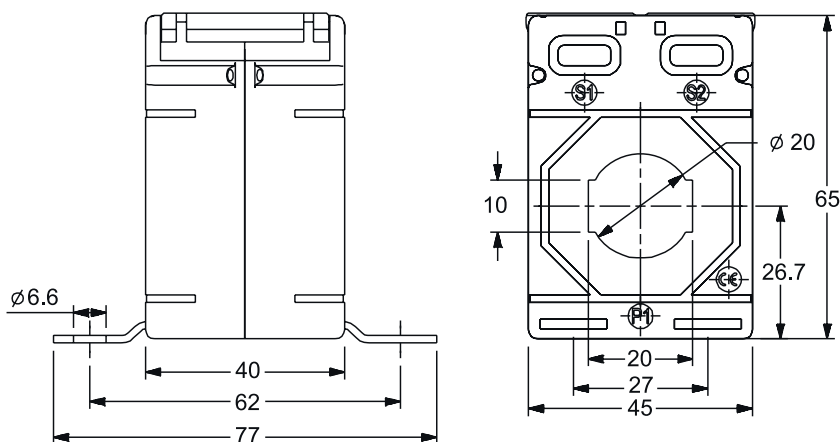
**OUTPUTS:**

5 A    1 A

LCTB 45/21 (40)	
Hole diameter	∅ 20 mm
Busbar	20 x 10 mm
Depth	40 mm
Width	45 mm
Primary current	50 A...400 A
Secondary current	1 A, 5 A
Accuracy class	0,5; 1

## DIMENSIONS

### LCTB 45/21 (40)



Transformer type	LCTB 45/21 (40)	
Accuracy class	0.5	1
Rated primary current	Transformer burden	
50 A	-	1.5 VA
60 A	-	1.5 VA
75 A	-	2.5 VA
80 A	1 VA	2.5 VA
100 A	1.5 VA	3.75 VA
120 A	1.5 VA	3.75 VA
125 A	2.5 VA	3.75 VA
150 A	2.5 VA	5 VA
200 A	3.75 VA	5 VA
250 A	3.75 VA	5 VA
300 A	5 VA	5 VA
400 A	5 VA	5 VA

**ORDER**

Required data: transformer type/ primary current/ secondary current/ power/ accuracy class  
**Order example:** LCTB 45/21 (40) 100/5A, 3.75VA, cl. 1

**ACCESSORIES:**

DIN rail mounting base

**order code:** LH000-0904-130-002



In Stock

**DISPATCH WITHIN 48H:**

check our stock at: [www.lumel.com.pl](http://www.lumel.com.pl)

	LCTB 50/21 (30)	LCTB 50/30 (30)	LCTB 50/21 (50)	LCTB 50/30 (50)
Hole diameter	Ø 21 mm	Ø 26 mm	Ø 21 mm	Ø26 mm
Busbar	20 x 10 mm	30 x 10 mm	20 x 10 mm	30 x 10 mm
Depth	31 mm	31 mm	51 mm	51 mm
Width	50 mm	50 mm	50 mm	50 mm
Primary current	40 A...400 A	75 A...600 A	50 A...400 A	50 A... 600 A
Secondary current	1 A, 5 A			
Accuracy class	0.5; 1			

**INPUT:**

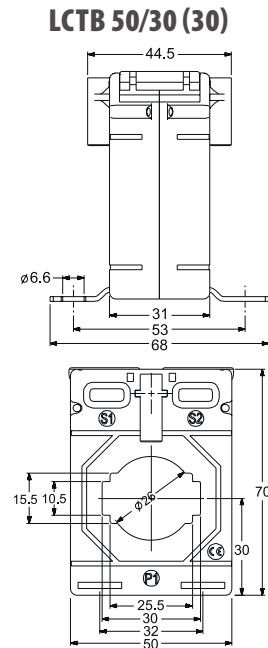
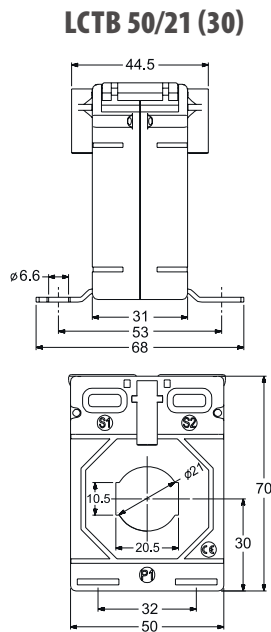
40 A  
...  
600 A

**OUTPUTS:**

5 A 1 A



## DIMENSIONS



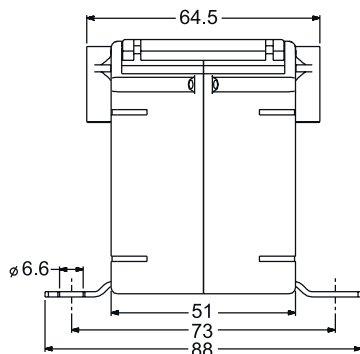
Transformer type	LCTB 50/21 (30)		LCTB 50/30 (30)	
	0.5	1	0.5	1
Accuracy class	Transformer burden			
Rated primary current	Transformer burden			
40 A	-	1 VA	-	-
50 A	-	1 VA	-	-
60 A	-	1 VA	-	-
75 A	-	1.5 VA	-	1 VA
80 A	1 VA	2.5 VA	-	1.5 VA
100 A	1.5 VA	2.5 VA	1 VA	2.5 VA
120 A	2.5 VA	2.5 VA	1 VA	2.5 VA
125 A	2.5 VA	3.75 VA	1 VA	2.5 VA
150 A	2.5 VA	5 VA	2.5 VA	3.75 VA
200 A	3.75 VA	5 VA	2.5 VA	5 VA
250 A	5 VA	5 VA	5 VA	5 VA
300 A	5 VA	7.5 VA	5 VA	5 VA
400 A	5 VA	7.5 VA	5 VA	5 VA   6.25 VA
500 A	-	-	5 VA	6.25 VA
600 A	-	-	5 VA	7.5 VA



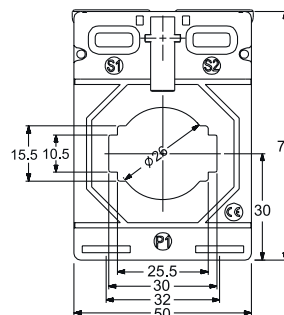
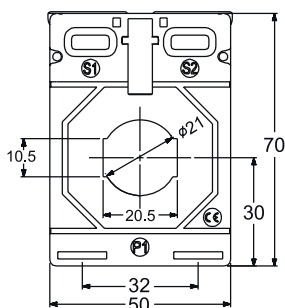
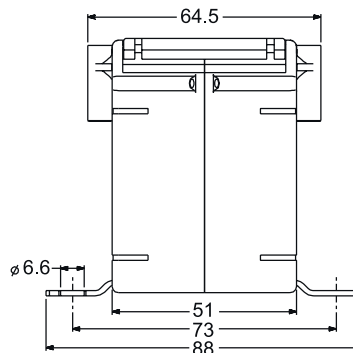
**DISPATCH WITHIN 48H:**  
check our stock at: [www.lumel.com.pl](http://www.lumel.com.pl)

## DIMENSIONS

### LCTB50/21 (50)



### LCTB 50/30 (50)



Transformer type	LCTB 50/21 (50)		LCTB 50/30 (50)	
	0.5	1	0.5	1
Accuracy class	0.5	1	0.5	1
Rated primary current	Transformer burden			
50 A	1 VA	2.5 VA	-	1.5 VA
60 A	1 VA	2.5 VA	-	1.5 VA
75 A	1.5 VA	2.5 VA	-	2.5 VA
80 A	2.5 VA	5 VA	-	2.5 VA
100 A	2.5 VA	5 VA	2.5 VA	5 VA
120 A	3.75 VA	5 VA	2.5 VA	5 VA
125 A	5 VA	5 VA	2.5 VA	5 VA
150 A	5 VA	10 VA	5 VA	5 VA
200 A	7.5 VA	10 VA	5 VA	7.5 VA
250 A	7.5 VA	10 VA	5 VA	10 VA
300 A	7.5 VA	12.5 VA	5 VA	10 VA
400 A	10 VA	15 VA	10 VA	12.5 VA
500 A	-	-	10 VA	12.5 VA
600 A	-	-	10 VA	15 VA

### ORDER

Required data: transformer type/ primary current/ secondary current/ power/ accuracy class  
**Order example:** LCTB 50/21 (50) 100/5A, 5VA, cl. 1

### ACCESSORIES:

DIN rail mounting base  
 - for details see page 25



In Stock

### DISPATCH WITHIN 48H:

check our stock at: [www.lumel.com.pl](http://www.lumel.com.pl)



	LCTB 62/20 (40)	LCTB 62/30 (40)	LCTB 62/30 (50)	LCTB 62/40 (40)
Hole diameter	-	∅ 30 mm	∅ 28 mm	∅ 31 mm
Busbar	20x12 mm	30x10 mm, 2x25 x10 mm	30x10 mm	40x10 mm, 2 x 30 x 10 mm
Depth	40 mm	40 mm	50 mm	40 mm
Width	62 mm	62 mm	62 mm	62 mm
Primary current	50A...400A	50 A...800 A	40 A...800 A	100 A...800 A
Secondary current	1 A, 5 A			
Accuracy class	0.2S; 0.2; 0.5S; 0.5; 1			

**INPUT:**

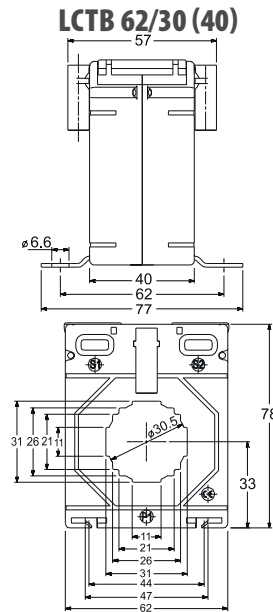
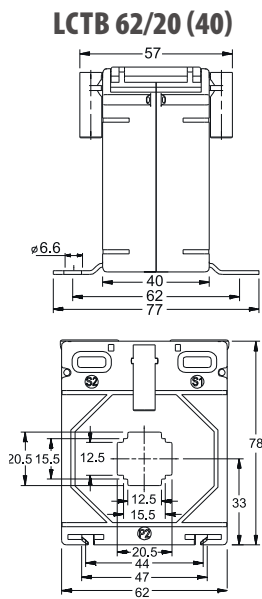
40 A  
...  
800 A

**OUTPUTS:**

5 A 1 A



## DIMENSIONS

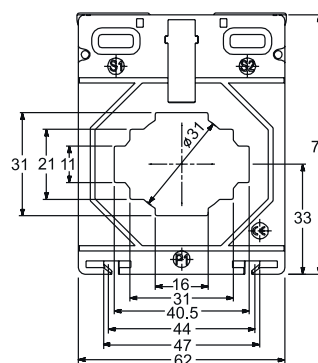
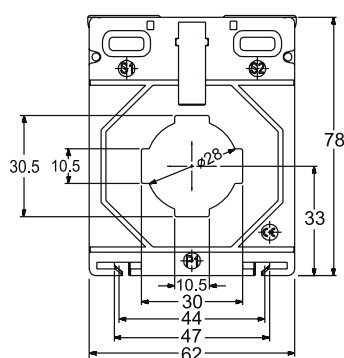
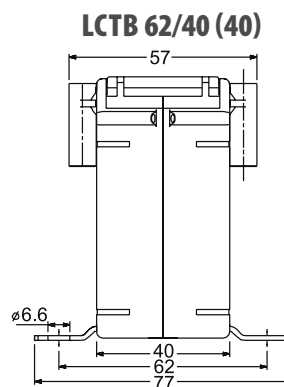
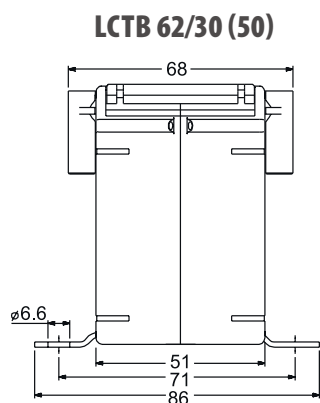


Transformer type	LCTB 62/20 (40)					LCTB 62/30 (40)				
	0.2S	0.2	0.5S	0.5	1	0.2S	0.2	0.5S	0.5	1
Accuracy class	0.2S	0.2	0.5S	0.5	1	0.2S	0.2	0.5S	0.5	1
Rated primary current	Transformer burden									
50 A	-	-	-	-	1.5 VA	-	-	-	-	1.5 VA
60 A	-	-	-	-	2.5 VA	-	-	-	-	1.5 VA
75 A	-	-	-	1.5 VA	3.75 VA	-	-	-	-	1.5 VA
80 A	-	-	-	2.5 VA	3.75 VA	-	-	-	-	2 VA
100 A	1.5 VA	1.5 VA	1.5 VA	2.5 VA	5 VA	1 VA	1 VA	1 VA	1.5 VA	2.5 VA
120 A	1.5 VA	1.5 VA	1.5 VA	3.75 VA	5 VA	1 VA	1 VA	1 VA	2.5 VA	3.75 VA
125 A	1.5 VA	1.5 VA	1.5 VA	3.75 VA	5 VA	1 VA	1 VA	1 VA	2.5 VA	3.75 VA
150 A	2 VA	2.5 VA	2.0 VA	5 VA	7.5 VA	2.5 VA	1.5 VA	2.5 VA	3.75 VA	5 VA
200 A	3.75 VA	5 VA	3.75 VA	7.5 VA	10 VA	5 VA	2.5 VA	5 VA	5 VA	7.5 VA
250 A	3.75 VA	5 VA	3.75 VA	10 VA	15 VA	5 VA	3.75 VA	5 VA	5 VA	10 VA
300 A	3.75 VA	5 VA	3.75 VA	10 VA	15 VA	5 VA	3.75 VA	5 VA	5 VA	10 VA
400 A	5 VA	7.5 VA	5 VA	15 VA	15 VA	5 VA	5 VA	5 VA	7.5 VA	12.5 VA
500 A	-	-	-	-	-	5 VA	7.5 VA	5 VA	10 VA	12.5 VA
600 A	-	-	-	-	-	10 VA	7.5 VA	10 VA	15 VA	15 VA
750 A	-	-	-	-	-	10 VA	10 VA	10 VA	15 VA	15 VA
800 A	-	-	-	-	-	10 VA	10 VA	10 VA	15 VA	15 VA



**DISPATCH WITHIN 48H:**  
check our stock at: [www.lumel.com.pl](http://www.lumel.com.pl)

## DIMENSIONS



Transformer type	LCTB 62/30 (50)					LCTB 62/40 (40)					
	Accuracy class	0.25	0.2	0.55	0.5	1	0.25	0.2	0.55	0.5	1
<b>Rated primary current</b>	<b>Transformer burden</b>										
40 A	-	-	-	-	1 VA	-	-	-	-	-	-
50 A	-	-	-	-	2.5 VA	-	-	-	-	-	-
60 A	-	-	-	-	2.5 VA	-	-	-	-	-	-
75 A	-	-	-	2.5 VA	2.5 VA	-	-	-	-	-	-
80 A	-	-	-	2.5 VA	3.75 VA	-	-	-	-	-	-
100 A	1.25 VA	1.25 VA	1.25 VA	5 VA	5 VA	-	-	-	-	1 VA	-
120 A	1.25 VA	1.25 VA	1.25 VA	5 VA	5 VA	-	-	-	-	1.5 VA	-
125 A	1.25 VA	1.25 VA	1.25 VA	5 VA	5 VA	-	-	-	-	1.5 VA	-
150 A	2 VA	2 VA	2 VA	5 VA	7.5 VA	-	-	-	-	2.5 VA	-
200 A	5 VA	3.75 VA	5 VA	10 VA	15 VA	1 VA	1 VA	1 VA	1.5 VA	3.75 VA	-
250 A	5 VA	5 VA	5 VA	15 VA	15 VA	1.5 VA	1.5 VA	1.5 VA	2.5 VA	5 VA	-
300 A	5 VA	5 VA	5 VA	15 VA	15 VA	1.5 VA	1.5 VA	1.5 VA	5 VA	5 VA	-
400 A	10 VA	6.25 VA	10 VA	15 VA	30 VA	2.5 VA	2.5 VA	2.5 VA	5 VA	5 VA	-
500 A	5 VA	7.5 VA	5 VA	15 VA	30 VA	3.75 VA	5 VA	3.75 VA	5 VA	5 VA	7.5 VA
600 A	6.25 VA	10 VA	6.25 VA	20 VA	30 VA	5 VA	7.5 VA	5 VA	7.5 VA	10 VA	-
750 A	6.25 VA	10 VA	6.25 VA	20 VA	30 VA	5 VA	10 VA	5 VA	10 VA	10 VA	-
800 A	6.25 VA	10 VA	6.25 VA	20 VA	30 VA	5 VA	10 VA	5 VA	10 VA	10 VA	-

### ORDER

Required data: transformer type/ primary current/ secondary current/ power/ accuracy class  
**Order example:** LCTB 62/40 (40) 100/5A, 1VA, cl. 1

### ACCESSORIES:

DIN rail mounting base  
 - for details see page 25



In Stock

### DISPATCH WITHIN 48H:

check our stock at: [www.lumel.com.pl](http://www.lumel.com.pl)

	LCTB 74/20 (45)	LCTB 74/30 (45)	LCTB 74/40 (45)	LCTB 74/50 (45)
Hole diameter	∅ 20 mm	∅ 26 mm	∅ 35 mm	∅ 41 mm
Busbar	20x10 mm	30x15 mm, 2x20x10 mm	40x12 mm, 2x30x15 mm	50x12 mm, 2x40x10 mm
Depth	45 mm	45 mm	45 mm	45 mm
Width	74 mm	74 mm	74 mm	74 mm
Prąd pierwotny	30 A...400 A	30 A...800 A	40 A...1000 A	100 A...1000 A
Secondary current	1 A, 5 A			
Accuracy class	0.2S; 0.2; 0.5S; 0.5; 1			

**INPUT:**

**30 A**  
...  
**1000 A**

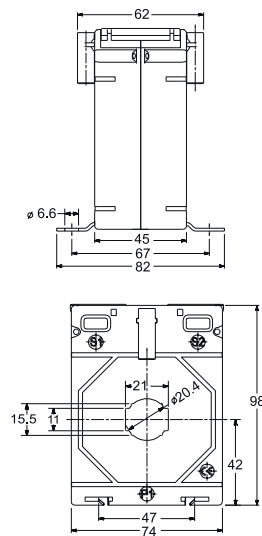
**OUTPUTS:**

**5 A** **1 A**

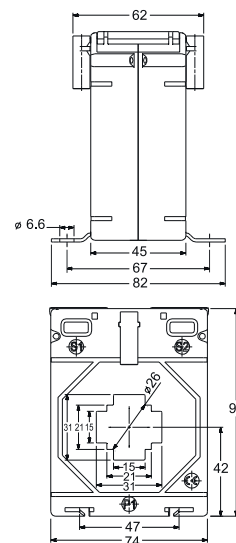


## DIMENSIONS

**LCTB 74/20 (45)**



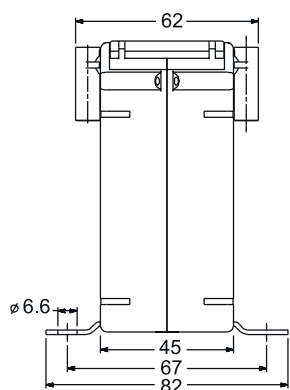
**LCTB 74/30 (45)**



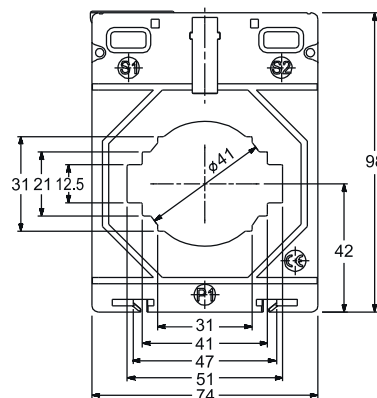
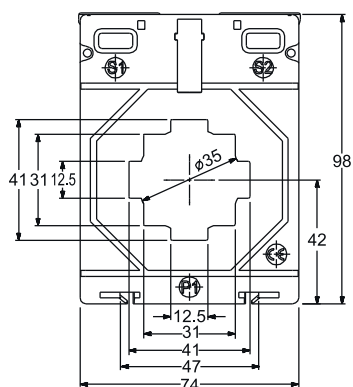
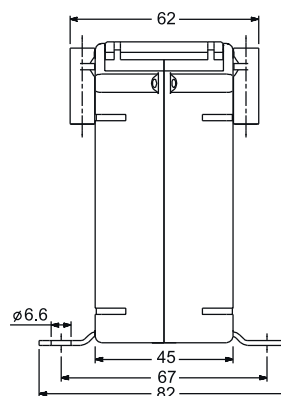
Transformer type	LCTB 74/20 (45)					LCTB 74/30 (45)				
	0.2S	0.2	0.5S	0.5	1	0.2S	0.2	0.5S	0.5	1
Accuracy class										
Rated primary current	Transformer burden									
30 A	-	-	-	-	1.5 VA	-	-	-	-	1 VA
40 A	-	-	-	-	1.5 VA	-	-	-	-	1.5 VA
50 A	-	-	-	-	2.5 VA	-	-	-	-	1.5 VA
60 A	-	-	-	-	3.75 VA	-	-	-	-	2.5 VA
75 A	-	-	-	1.5 VA	5 VA	-	-	-	1.5 VA	2.5 VA
80 A	-	-	-	1.5 VA	5 VA	-	-	-	1.5 VA	3.75 VA
100 A	1.5 VA	1.5 VA	1.5 VA	5 VA	7.5 VA	1.5 VA	1.5 VA	1.5 VA	2.5 VA	5 VA
120 A	1.5 VA	1.5 VA	1.5 VA	5 VA	10 VA	1.5 VA	1.5 VA	1.5 VA	2.5 VA	5 VA
125 A	1.5 VA	1.5 VA	1.5 VA	5 VA	10 VA	1.5 VA	1.5 VA	1.5 VA	2.5 VA	5 VA
150 A	2.5 VA	2.5 VA	2.5 VA	7.5 VA	12.5 VA	1.5 VA	1.5 VA	1.5 VA	5 VA	7.5 VA
200 A	5 VA	5 VA	5 VA	10 VA	15 VA	2.5 VA	2.5 VA	2.5 VA	10 VA	15 VA
250 A	5 VA	5 VA	5 VA	10 VA	15 VA	2.5 VA	2.5 VA	2.5 VA	10 VA	15 VA
300 A	5 VA	7.5 VA	5 VA	15 VA	15 VA	2.5 VA	5 VA	2.5 VA	10 VA	15 VA
400 A	5 VA	10 VA	5 VA	15 VA	20 VA	5 VA	7.5 VA	5 VA	15 VA	20 VA
500 A	-	-	-	-	-	5 VA	10 VA	5 VA	15 VA	20 VA
600 A	-	-	-	-	-	5 VA	15 VA	5 VA	15 VA	20 VA
750 A	-	-	-	-	-	7.5 VA	20 VA	7.5 VA	20 VA	30 VA
800 A	-	-	-	-	-	10 VA	30 VA	10 VA	30 VA	30 VA

## DIMENSIONS

### LCTB 74/40 (45)



### LCTB 74/50 (45)



Transformer type	LCTB 74/40 (45)					LCTB 74/50 (45)					
	Accuracy class	0.2S	0.2	0.5S	0.5	1	0.2S	0.2	0.5S	0.5	1
<b>Rated primary current</b>	<b>Transformer burden</b>										
40 A	-	-	-	-	-	1 VA	-	-	-	-	-
50 A	-	-	-	-	-	1 VA	-	-	-	-	-
60 A	-	-	-	-	-	1 VA	-	-	-	-	-
75 A	-	-	-	-	-	1.5 VA	-	-	-	-	-
80 A	-	-	-	-	-	1.5 VA	-	-	-	-	-
100 A	-	-	-	1.5 VA	2.5 VA	2.5 VA	-	-	-	-	1.5 VA
120 A	-	-	-	1.5 VA	2.5 VA	2.5 VA	-	-	-	-	1.5 VA
125 A	-	-	-	1.5 VA	2.5 VA	2.5 VA	-	-	-	-	1.5 VA
150 A	-	-	-	2.5 VA	3.75 VA	3.75 VA	-	-	-	-	2.5 VA
200 A	2.5 VA	2.5 VA	2.5 VA	3.75 VA	5 VA	5 VA	-	-	-	1.5 VA	3.75 VA
250 A	5 VA	2.5 VA	5 VA	5 VA	7.5 VA	7.5 VA	1.5 VA	1.5 VA	1.5 VA	2.5 VA	5 VA
300 A	5 VA	2.5 VA	5 VA	5 VA	7.5 VA	7.5 VA	1.5 VA	1.5 VA	1.5 VA	5 VA	7.5 VA
400 A	5 VA	5 VA	5 VA	5 VA	5 VA   7.5 VA	12.5 VA	2.5 VA	2.5 VA	2.5 VA	5 VA	7.5 VA
500 A	5 VA	7.5 VA	5 VA	10 VA	15 VA	15 VA	5 VA	5 VA	5 VA	7.5 VA	10 VA
600 A	5 VA	10 VA	5 VA	15 VA	20 VA	20 VA	5 VA	5 VA   7.5 VA	5 VA	10 VA	12.5 VA
750 A	5 VA	10 VA	5 VA	15 VA	20 VA	20 VA	5 VA	10 VA	5 VA	12.5 VA	15 VA
800 A	7.5 VA	15 VA	7.5 VA	15 VA	20 VA	20 VA	5 VA	10 VA	5 VA	12.5 VA	15 VA
1000 A	10 VA	15 VA	10 VA	15 VA	20 VA	20 VA	5 VA	10 VA	5 VA	12.5 VA	15 VA

### ORDER

Required data: transformer type/ primary current/ secondary current/ power/ accuracy class

Order example: LCTB 74/50 (45) 100/5A, 1.5VA, cl. 1

### ACCESSORIES:

DIN rail mounting base

order code: LH000-0904-130-124



In Stock

**DISPATCH WITHIN 48H:**

check our stock at: [www.lumel.com.pl](http://www.lumel.com.pl)

	LCTB 86/40 (45)	LCTB 86/50 (45)	LCTB 86/60 (45)
Hole diameter	∅ 36 mm	∅ 46 mm	∅ 51 mm
Busbar	40 x 10 mm, 2x30x15mm	50 x 12 mm, 2 x 40 x 15 mm	60 x 12 mm, 2 x 50 x 15 mm
Depth	45 mm	45 mm	45 mm
Width	86 mm	86 mm	86 mm
Primary current	50 A...1000 A	100 A...1250 A	100 A...1600 A
Secondary current	1 A, 5 A		
Accuracy class	0.2S; 0.2; 0.5S; 0.5; 1		

INPUT:

50 A  
...  
1600 A

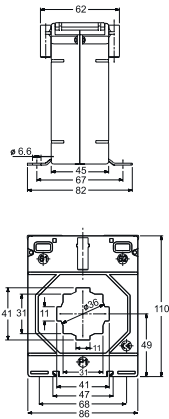
OUTPUTS:

5 A 1 A

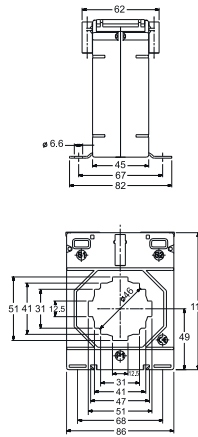


## DIMENSIONS

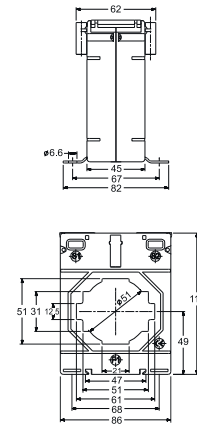
LCTB 86/40 (45)



LCTB 86/50 (45)



LCTB 86/60 (45)



Transformer type	LCTB 86/40 (45)					LCTB 86/50 (45)					LCTB 86/60 (45)				
	0.2S	0.2	0.5S	0.5	1	0.2S	0.2	0.5S	0.5	1	0.2S	0.2	0.5S	0.5	1
Rated primary class	Transformer burden														
50 A	-	-	-	-	1.5 VA	-	-	-	-	-	-	-	-	-	-
60 A	-	-	-	-	1.5 VA	-	-	-	-	-	-	-	-	-	-
75 A	-	-	-	-	2.5 VA	-	-	-	-	-	-	-	-	-	-
80 A	-	-	-	-	2.5 VA	-	-	-	-	-	-	-	-	-	-
100 A	1.5 VA	1.5 VA	1.5 VA	1.5 VA	3.75 VA	-	-	-	-	1.5 VA	-	-	-	-	1 VA
120 A	1.5 VA	1.5 VA	1.5 VA	2.5 VA	5 VA	-	-	-	1.5 VA	2.5 VA	-	-	-	-	1.5 VA
125 A	1.5 VA	1.5 VA	1.5 VA	2.5 VA	5 VA	-	-	-	1.5 VA	2.5 VA	-	-	-	-	2.5 VA
150 A	2.5 VA	2.5 VA	2.5 VA	3.75 VA	5 VA	-	-	-	2.5 VA	5 VA	-	-	-	-	2.5 VA
200 A	2.5 VA	2.5 VA	2.5 VA	5 VA	7.5 VA	-	-	-	5 VA	7.5 VA	-	-	-	1.5 VA	3.75 VA
250 A	3.75 VA	3.75 VA	3.75 VA	7.5 VA	12.5 VA	-	-	-	7.5 VA	10 VA	-	-	-	2.5 VA	5 VA
300 A	5 VA	5 VA	5 VA	10 VA	15 VA	5 VA	1.5 VA	5 VA	7.5 VA	10 VA	1.5 VA	1.5 VA	1.5 VA	5 VA	7.5 VA
400 A	7.5 VA	7.5 VA	7.5 VA	15 VA	20 VA	7.5 VA	2.5 VA	7.5 VA	15 VA	15 VA	2.5 VA	2.5 VA	2.5 VA	10 VA	1 2.5 VA
500 A	10 VA	10 VA	10 VA	20 VA	30 VA	7.5 VA	5 VA	7.5 VA	15 VA	20 VA	2.5 VA	3.75 VA	2.5 VA	10 VA	12.5 VA
600 A	15 VA	15 VA	15 VA	30 VA	30 VA	10 VA	7.5 VA	10 VA	15 VA	20 VA	5 VA	5 VA	5 VA	15 VA	15 VA
750 A	15 VA	15 VA	15 VA	30 VA	30 VA	7.5 VA	10 VA	7.5 VA	15 VA	20 VA	5 VA	10 VA	5 VA	15 VA	20 VA
800 A	15 VA	15 VA	15 VA	30 VA	30 VA	10 VA	12.5 VA	10 VA	20 VA	30 VA	7.5 VA	12.5 VA	7.5 VA	20 VA	20 VA
1000 A	15 VA	15 VA	15 VA	30 VA	30 VA	12.5 VA	20 VA	12.5 VA	30 VA	30 VA	10 VA	15 VA	10 VA	20 VA	20 VA
1200 A	-	-	-	-	-	12.5 VA	20 VA	12.5 VA	30 VA	30 VA	10 VA	15 VA	10 VA	20 VA	20 VA
1250 A	-	-	-	-	-	12.5 VA	20 VA	12.5 VA	30 VA	30 VA	10 VA	15 VA	10 VA	20 VA	20 VA
1500 A	-	-	-	-	-	-	-	-	-	-	10 VA	15 VA	10 VA	20 VA	20 VA
1600 A	-	-	-	-	-	-	-	-	-	-	10 VA	15 VA	10 VA	20 VA	20 VA

**ORDER**  
Required data: transformer type/ primary current/ secondary current/ power/ accuracy class  
Order example: LCTB 86/50 (45) 100/5A, 1.5VA, cl. 1

**ACCESSORIES:**  
DIN rail mounting base  
order code: LH000-0904-130-124



**DISPATCH WITHIN 48H:**  
check our stock at: [www.lumel.com.pl](http://www.lumel.com.pl)

# LCTB 100 - BUSBAR SERIES



## INPUT:

400 A  
...  
3200 A

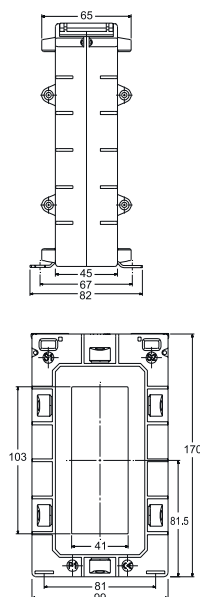
## OUTPUTS:

5 A 1 A

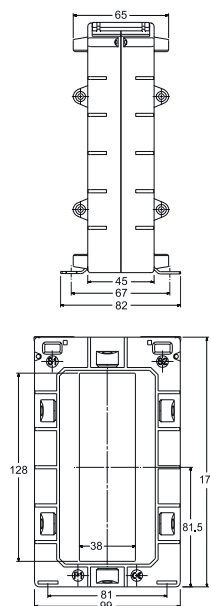
	LCTB 100/100V (45)	LCTB 100/130V (45)
Busbar	41 x 103 mm	38 x 128 mm
Depth	45 mm	45 mm
Width	100 mm	100 mm
Primary current	400 A...2500 A	400 A...3000 A
Secondary current	1 A, 5 A	
Accuracy class	0.25; 0.2; 0.55; 0.5; 1	0.2; 0.5; 1

## DIMENSIONS

### LCTB 100/100V (45)



### LCTB 100/130V (45)



Transformer type	LCTB 100/100V (45)					LCTB 100/130V (45)		
	Accuracy class	0.25	0.2	0.55	0.5	1	0.2	0.5
Rated primary current	Transformer burden							
400 A	-	-	-	2.5 VA	5 VA	-	2.5 VA	5 VA
500 A	-	-	-	2.5 VA	5 VA	-	2.5 VA	5 VA
600 A	-	-	-	2.5 VA	5 VA	-	2.5 VA	5 VA
750 A	-	-	-	2.5 VA	5 VA	-	2.5 VA	7.5 VA
800 A	-	-	-	5 VA	10 VA	-	5 VA	7.5 VA
1000 A	-	5 VA	-	10 VA	15 VA	-	10 VA	10 VA
1200 A	5 VA	5 VA	5 VA	10 VA	15 VA	-	10 VA	15 VA
1250 A	5 VA	5 VA	5 VA	10 VA	15 VA	-	10 VA	15 VA
1500 A	5 VA	5 VA	5 VA	15 VA	30 VA	5 VA	15 VA	30 VA
1600 A	7.5 VA	10 VA	7.5 VA	15 VA	30 VA	5 VA	15 VA	30 VA
2000 A	7.5 VA	10 VA	7.5 VA	15 VA	30 VA	5 VA	15 VA	30 VA
2500 A	10 VA	10 VA	10 VA	15 VA	20 VA	5 VA	15 VA	30 VA
3000 A	-	-	-	-	-	5 VA	10 VA	12.5 VA

## ORDER

Required data: transformer type/ primary current/ secondary current/ power/ accuracy class

Order example: LCTB 100/130V (45) 400/5A, 2.5VA, cl. 1

## ACCESSORIES:

DIN rail mounting base

order code: LH000-0904-130-124

	LCTB 104/60 (45)	LCTB 104/80 (45)
Hole diameter	Ø 54 mm	Ø 65 mm
Busbar	60 x 12 mm, 2 x 50 x 15 mm, 2 x 40 x 20 mm	80 x 12 mm, 2 x 60 x 15 mm, 2 x 50 x 25 mm
Depth	45 mm	45 mm
Width	104 mm	104 mm
Primary current	100 A...1600 A	200 A...2000 A
Secondary current	1 A, 5 A	
Accuracy class	0.2S; 0.2; 0.5S; 0.5; 1	

INPUT:

40 A  
...  
800 A

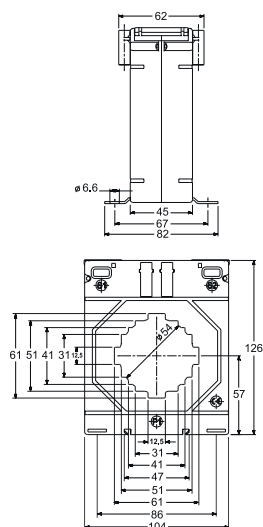
OUTPUTS:

5 A 1 A

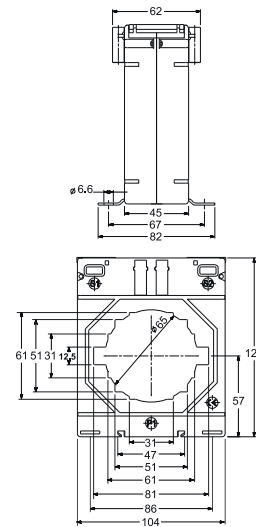


## DIMENSIONS

LCTB 104/60 (45)



LCTB 104/80 (45)



Transformer type	LCTB 104/60 (45)					LCTB 104/80 (45)				
	Accuracy class	0.2S	0.2	0.5S	0.5	1	0.2S	0.2	0.5S	0.5
Rated primary current	Transformer burden									
100 A	-	-	-	-	1.5 VA	-	-	-	-	-
120 A	-	-	-	-	2.5 VA	-	-	-	-	-
125 A	-	-	-	-	2.5 VA	-	-	-	-	-
150 A	-	-	-	2.5 VA	5 VA	-	-	-	-	-
200 A	-	-	-	5 VA	10 VA	-	-	-	-	1.5 VA
250 A	-	1.5 VA	-	7.5 VA	12.5 VA	-	-	-	1.5 VA	2.5 VA
300 A	1.5 VA	2.5 VA	1.5 VA	10 VA	15 VA	-	-	-	2.5 VA	7.5 VA
400 A	2.5 VA	3.75 VA	2.5 VA	5 VA   10 VA	15 VA	-	1.5 VA	-	5 VA	10 VA
500 A	3.75 VA	7.5 VA	3.75 VA	15 VA	20 VA	-	1.5 VA	-	5 VA	10 VA
600 A	5 VA	10 VA	5 VA	15 VA	30 VA	-	2.5 VA	-	7.5 VA	12.5 VA
750 A	5 VA	15 VA	5 VA	20 VA	30 VA	5 VA	5 VA	5 VA	10 VA	15 VA
800 A	7.5 VA	15 VA	7.5 VA	30 VA	30 VA	5 VA	7.5 VA	5 VA	10 VA	15 VA
1000 A	10 VA	20 VA	10 VA	30 VA	45 VA	7.5 VA	12.5 VA	7.5 VA	20 VA	20 VA
1200 A	10 VA	30 VA	10 VA	30 VA	45 VA	10 VA	15 VA	10 VA	20 VA	30 VA
1250 A	10 VA	30 VA	10 VA	30 VA	45 VA	10 VA	15 VA	10 VA	20 VA	30 VA
1500 A	10 VA	30 VA	10 VA	30 VA	45 VA	10 VA	15 VA	10 VA	20 VA	30 VA
1600 A	10 VA	30 VA	10 VA	30 VA	45 VA	10 VA	15 VA	10 VA	20 VA	30 VA
2000 A	-	-	-	-	-	10 VA	15 VA	10 VA	20 VA	30 VA

**ORDER**

Required data: transformer type/ primary current/ secondary current/ power/ accuracy class  
 Order example: LCTB 104/60 (45) 100/5A, 1.5VA, cl. 1

**ACCESSORIES:**

DIN rail mounting base  
 order code: LH000-0904-130-124



**DISPATCH WITHIN 48H:**

check our stock at: [www.lumel.com.pl](http://www.lumel.com.pl)

# LCTB 140 - BUSBAR SERIES



**INPUT:**

**200 A**  
...  
**5000 A**

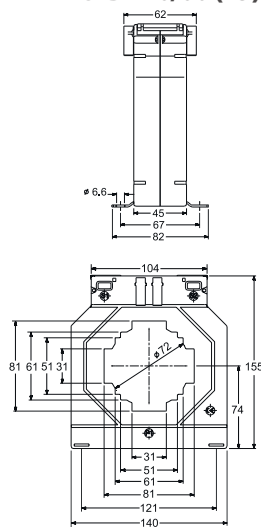
**OUTPUTS:**

**5 A**   **1 A**

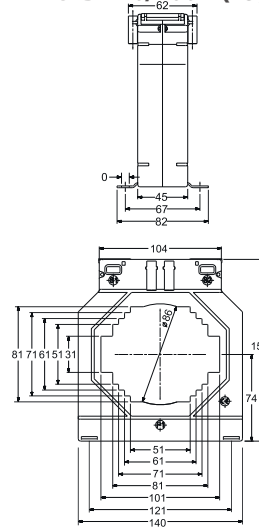
	LCTB 140/80 (45)	LCTB 140/100H (45)	LCTB 140/100V (45)	LCTB 140/130V (45)
Hole diameter	Ø 72 mm	Ø 86 mm	Ø 86 mm	-
Busbar	80 x 30 mm, 2 x 60 x 25 mm	100 x 30 mm, 2 x 80 x 25 mm, 2 x 70 x 30 mm	100 x 30 mm, 2 x 80 x 25 mm, 2 x 70 x 30 mm	70 x 130 mm
Depth	45 mm	45 mm	45 mm	45 mm
Width	140 mm	140 mm	140 mm	140 mm
Primary current	200 A...2000 A	200 A...4000 A	200 A...3000 A	400 A...5000 A
Secondary current	1 A, 5 A			
Accuracy class	0,2S; 0,2; 0,5S; 0,5; 1			0,2; 0,5; 1

## DIMENSIONS

**LCTB 140/80 (45)**



**LCTB 140/100H (45)**



Transformer type	LCTB 140/80 (45)					LCTB 140/100H (45)				
	Accuracy class	0.2S	0.2	0.5S	0.5	1	0.2S	0.2	0.5S	0.5
<b>Rated primary current</b>	<b>Transformer burden</b>									
200 A	-	-	-	2.5 VA	5 VA	-	-	-	1.5 VA	3.75 VA
250 A	-	-	-	5 VA	10 VA	-	-	-	2.5 VA	5 VA
300 A	-	1.5 VA	-	7.5 VA	15 VA	-	-	-	3.75 VA	7.5 VA
400 A	-	2.5 VA	-	10 VA	20 VA	-	1.5 VA	-	7.5 VA	10 VA
500 A	2.5 VA	5 VA	2.5 VA	15 VA	30 VA	-	2.5 VA	-	10 VA	12.5 VA
600 A	3.75 VA	7.5 VA	3.75 VA	15 VA	30 VA	2.5 VA	3.75 VA	2.5 VA	10 VA	15 VA
750 A	5 VA	10 VA	5 VA	15 VA	45 VA	5 VA	5 VA	5 VA	15 VA	20 VA
800 A	5 VA	10 VA	5 VA	15 VA	45 VA	5 VA	5 VA	5 VA	15 VA	20 VA
1000 A	10 VA	15 VA	10 VA	30 VA	60 VA	5 VA	10 VA	5 VA	15 VA	20 VA
1200 A	12.5 VA	15 VA	12.5 VA	30 VA	60 VA	10 VA	15 VA	10 VA	15 VA	30 VA
1250 A	12.5 VA	30 VA	12.5 VA	60 VA	60 VA	10 VA	15 VA	10 VA	15 VA	30 VA
1500 A	15 VA	30 VA	15 VA	60 VA	60 VA	15 VA	20 VA	15 VA	20 VA	30 VA
1600 A	15 VA	30 VA	15 VA	60 VA	60 VA	15 VA	20 VA	15 VA	20 VA	45 VA
2000 A	15 VA	30 VA	15 VA	60 VA	60 VA	15 VA	30 VA	15 VA	45 VA	45 VA
2500 A	-	-	-	-	-	15 VA	30 VA	15 VA	45 VA	45 VA
3000 A	-	-	-	-	-	15 VA	30 VA	15 VA	60 VA	60 VA
4000 A	-	-	-	-	-	15 VA	30 VA	15 VA	60 VA	60 VA

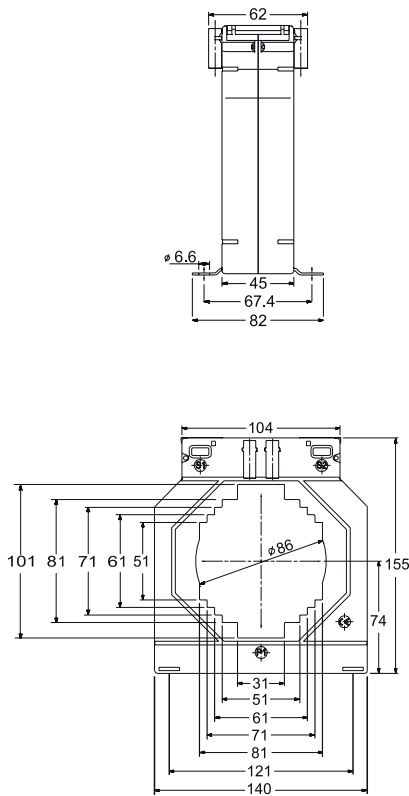


**DISPATCH WITHIN 48H:**  
check our stock at: [www.lumel.com.pl](http://www.lumel.com.pl)

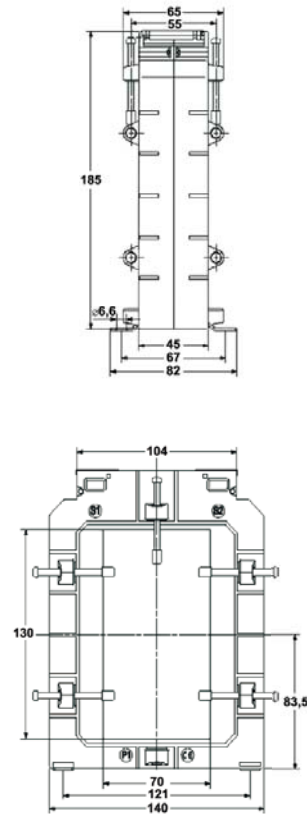


## DIMENSIONS

### LCTB 140/100V (45)



### LCTB 140/130V (45)



Transformer type	LCTB 140/100V (45)					LCTB 140/130V (45)		
	Accuracy class	0.25	0.2	0.55	0.5	1	0.2	0.5
<b>Rated primary current</b>	<b>Transformer burden</b>							
200 A	-	-	-	1.5 VA	3.75 VA	-	-	-
250 A	-	-	-	2.5 VA	5 VA	-	-	-
300 A	-	-	-	3.75 VA	7.5 VA	-	-	-
400 A	-	1.5 VA	-	10 VA	10 VA	-	3.75 VA	5 VA
500 A	-	2.5 VA	-	10 VA	12.5 VA	-	3.75 VA	5 VA
600 A	2.5 VA	3.75 VA	2.5 VA	12.5 VA	15 VA	-	3.75 VA	5 VA
750 A	5 VA	5 VA	5 VA	15 VA	20 VA	-	5 VA	7.5 VA
800 A	5 VA	5 VA	5 VA	15 VA	20 VA	-	5 VA	7.5 VA
1000 A	5 VA	10 VA	5 VA	15 VA	20 VA	5 VA	10 VA	10 VA
1200 A	10 VA	15 VA	10 VA	15 VA	30 VA	7.5 VA	10 VA	15 VA
1250 A	10 VA	15 VA	10 VA	15 VA	30 VA	7.5 VA	10 VA	15 VA
1500 A	15 VA	20 VA	15 VA	30 VA	30 VA	10 VA	15 VA	15 VA
1600 A	15 VA	20 VA	15 VA	45 VA	45 VA	10 VA	15 VA	15 VA
2000 A	15 VA	30 VA	15 VA	45 VA	45 VA	15 VA	20 VA	20 VA
2500 A	15 VA	30 VA	15 VA	45 VA	45 VA	15 VA	20 VA	20 VA
3000 A	15 VA	30 VA	15 VA	60 VA	60 VA	15 VA	20 VA	20 VA
4000 A	-	-	-	-	-	15 VA	20 VA	20 VA
5000 A	-	-	-	-	-	15 VA	20 VA	20 VA

### ORDER

Required data: transformer type/ primary current/ secondary current/ power/ accuracy class

Order example: LCTB 140/100H (45) 200/5A, 3.75VA, cl. 1

# LCTB 225 - BUSBAR SERIES



**INPUT:**

600 A  
...  
7500 A

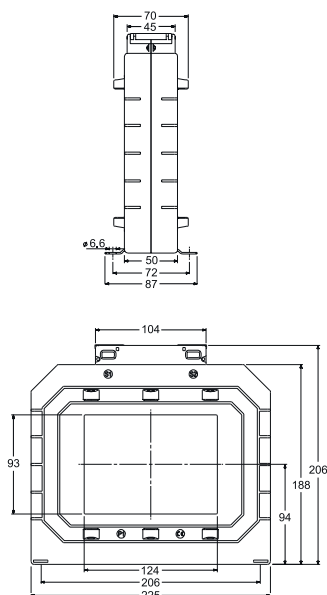
**OUTPUTS:**

5 A 1 A

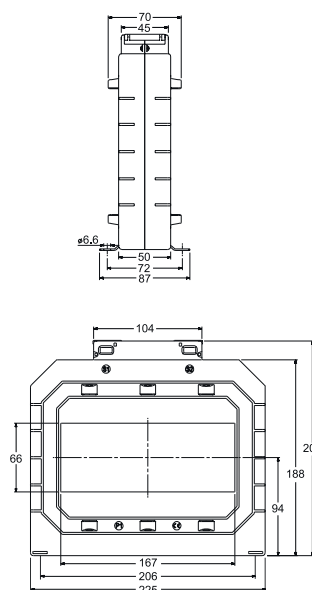
	LCTB 225/125 (50)	LCTB 225/167 (50)
Busbar	124 x 93 mm	166 x 65 mm
Depth	50 mm	50 mm
Width	225 mm	225 mm
Primary current	600 A...6000 A	1000 A...7500 A
Secondary current	1 A, 5 A	
Accuracy class	0.2S; 0.2; 0.5S; 0.5; 1	

## DIMENSIONS

LCTB 225/125 (50)



LCTB 225/167 (50)



Transformer type	LCTB 225/125 (50)					LCTB 225/167 (50)				
	Accuracy class	0.2S	0.2	0.5S	0.5	1	0.2S	0.2	0.5S	0.5
Rated primary current	Transformer burden									
600 A	-	5 VA	-	5 VA	10 VA	-	-	-	-	-
750 A	-	5 VA	-	10 VA	10 VA	-	-	-	-	-
800 A	-	5 VA	-	10 VA	10 VA	-	-	-	-	-
1000 A	5 VA	10 VA	5 VA	10 VA	15 VA	-	3.75 VA	-	5 VA	10 VA
1200 A	5 VA	10 VA	5 VA	10 VA	15 VA	-	5 VA	-	10 VA	15 VA
1250 A	5 VA	10 VA	5 VA	10 VA	15 VA	-	5 VA	-	10 VA	15 VA
1500 A	7.5 VA	10 VA	7.5 VA	15 VA	30 VA	5 VA	10 VA	5 VA	15 VA	30 VA
1600 A	7.5 VA	10 VA	7.5 VA	15 VA	30 VA	5 VA	10 VA	5 VA	15 VA	30 VA
2000 A	10 VA	10 VA	10 VA	15 VA	30 VA	7.5 VA	10 VA	7.5 VA	30 VA	30 VA
2500 A	10 VA	15 VA	10 VA	30 VA	30 VA	10 VA	15 VA	10 VA	30 VA	45 VA
3000 A	10 VA	15 VA	10 VA	30 VA	60 VA	10 VA	15 VA	10 VA	30 VA	45 VA
4000 A	15 VA	30 VA	15 VA	45 VA	60 VA	10 VA	15 VA	10 VA	30 VA	45 VA
5000 A	15 VA	30 VA	15 VA	100 VA	100 VA	15 VA	20 VA	15 VA	30 VA	45 VA
6000 A	15 VA	60 VA	15 VA	100 VA	100 VA	15 VA	20 VA	15 VA	30 VA	45 VA
7500 A	-	-	-	-	-	15 VA	20 VA	15 VA	30 VA	45 VA

### ORDER

Required data: transformer type/ primary current/ secondary current/ power/ accuracy class

Order example: LCTB 225/125 (50) 600/5A, 10VA, cl. 1

	LCTS 93/30SC (40)	LCTS 125/50SC (40)	LCTS 155/80SC (40)	LCTS 195/80SC (64)
Window dimensions	23 x 33 mm	85 x 54 mm	85 x 125 mm	82 x 162 mm
Depth	40 mm	40 mm	40 mm	64 mm
Width	93 mm	125 mm	155 mm	195 mm
Primary current	100 A...400 A	250 A...1000 A	250 A...3000 A	500 A...5000 A
Secondary current	1 A, 5 A			
Accuracy class	0,5; 1			

INPUT:

100 A  
...  
5000 A



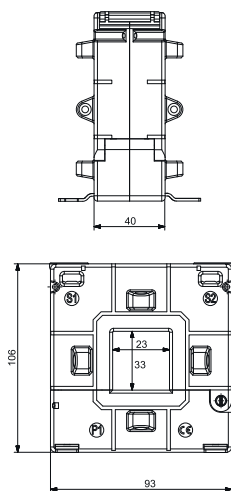
OUTPUTS:

5 A 1 A

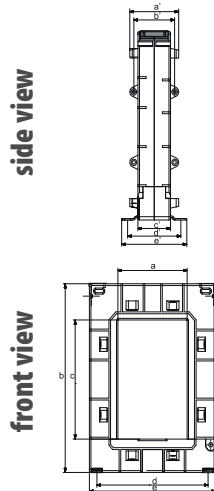


## DIMENSIONS

LCTS 93/30SC (40)



LCTS 125/50SC, 155/80SC, 195/80SC



Side view (dimensions in mm)

Type	a'	b'	c'	d'	e'
125/50SC (40)	60	50	40	65	80
155/80SC (40)	60	50	40	65	80
195/80SC (64)	84	74	64	80	100

Front view (dimensions in mm)

Type	a	b	c	d	e
125/50SC (40)	54	158	85	106	125
155/80SC (40)	85	198	125	136	155
195/80SC (64)	80	245	160	179	195

Transformer type	LCTS 93/30SC (40)		LCTS 125/50SC (40)		LCTS 155/80SC (40)		LCTS 195/80SC (64)		
	Accuracy class	0.5	1	0.5	1	0.5	1	0.5	1
Rated primary current	Transformer burden								
100 A	-	1.5 VA	-	-	-	-	-	-	-
150 A	-	1.75 VA	-	-	-	-	-	-	-
200 A	-	2.5 VA	-	-	-	-	-	-	-
250 A	-	3.75 VA	1 VA	2.5 VA	1 VA	2.5 VA	-	-	-
300 A	2.5 VA	5 VA	2.5 VA	3.75 VA	1.5 VA	3.75 VA	-	-	-
400 A	3.75 VA	6.25 VA	2.5 VA	3.75 VA	2.5 VA	3.75 VA	-	-	-
500 A	-	-	3.75 VA	5 VA	3.75 VA	5 VA	1.25 VA	5 VA	-
600 A	-	-	5 VA	7.5 VA	5 VA	7.5 VA	1.25 VA	5 VA	-
750 A	-	-	7.5 VA	10 VA	7.5 VA	10 VA	5 VA	10 VA	-
800 A	-	-	7.5 VA	10 VA	7.5 VA	10 VA	7.5 VA	10 VA	-
1000 A	-	-	10 VA	15 VA	10 VA	15 VA	10 VA	20 VA	-
1200 A	-	-	-	-	15 VA	30 VA	15 VA	20 VA	-
1250 A	-	-	-	-	15 VA	30 VA	15 VA	20 VA	-
1500 A	-	-	-	-	20 VA	45 VA	20 VA	30 VA	-
1600 A	-	-	-	-	20 VA	45 VA	20 VA	30 VA	-
2000 A	-	-	-	-	20 VA	45 VA	25 VA	30 VA	-
2500 A	-	-	-	-	25 VA	45 VA	25 VA	30 VA	-
3000 A	-	-	-	-	30 VA	45 VA	30 VA	45 VA	-
4000 A	-	-	-	-	-	-	30 VA	45 VA	-
5000 A	-	-	-	-	-	-	30 VA	45 VA	-

**ORDER**

Required data: transformer type/ primary current/ secondary current/ power/ accuracy class

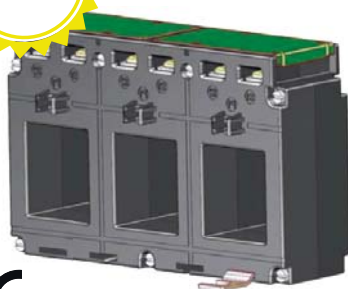
Order example: LCTS 93/30SC (40) 100/5A, 1.5VA, cl. 1



DISPATCH WITHIN 48H:

check our stock at: [www.lumel.com.pl](http://www.lumel.com.pl)

# LCTP - 3-PHASE BUSBAR SERIES



**INPUT:**

**150 A**  
...  
**630 A**

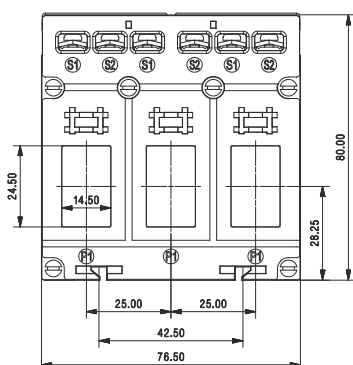
**OUTPUT:**

**5 A**

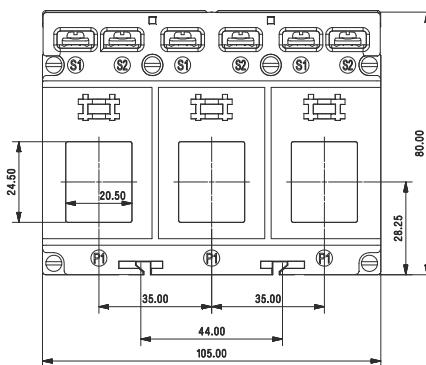
	LCTP 75/15 (60)	LCTP 105/21 (40)	LCTP 140/31 (40)
Busbar	14 x 24 mm	20 x 24 mm	31 x 36 mm
Depth	60 mm	40 mm	40 mm
Width	76.5 mm	105 mm	140 mm
Primary current	100...160 A	100...250 A	250...630 A
Secondary current	5 A		
Accuracy class	0.5; 1		

## DIMENSIONS

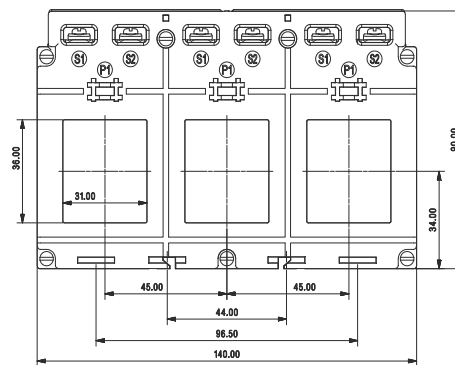
**LCTP 75/15 (60)**



**LCTP 105/21 (40)**



**LCTP 140/31 (40)**



Transformer type	LCTP 75/15 (60)		LCTP 105/21 (40)		LCTP 140/31 (40)	
Accuracy class	05	1	0.5	1	0.5	1
Rated primary current	Transformer burden					
100 A	-	1.5 VA	-	1.5 VA	-	-
125 A	-	1.5 VA	-	1.5 VA	-	-
150 A	1.5 VA	1.5 VA	-	1.5 VA	-	-
160 A	1.5 VA	1.5 VA	1.5 VA	1.5 VA	-	-
200 A	-	-	1.5 VA	1.5 VA	-	-
250 A	-	-	1.5 VA	1.5 VA	1.5 VA	1.5 VA
300 A	-	-	-	-	2.5 VA	2.5 VA
400 A	-	-	-	-	2.5 VA	2.5 VA
500 A	-	-	-	-	2.5 VA	2.5 VA
600 A	-	-	-	-	2.5 VA	2.5 VA
630 A	-	-	-	-	2.5 VA	2.5 VA

**ORDER**

Required data: transformer type/ primary current/ secondary current/ power/ accuracy class

Order example: LCTP140/31 (40) 600/5A; 2.5 VA; cl. 1

# 3-PHASE ROUND CONDUCTOR SERIES- LCTP



	LCTP 185/27 (45)	LCTP 185/37 (45)
Hole diameter	∅ 27 mm	∅ 37 mm
Depth	45 mm	45 mm
Width	185 mm	185 mm
Primary current	100...500 A	300...800 A
Secondary current	5A	
Accuracy class	1	

INPUT:

100 A  
...  
800 A

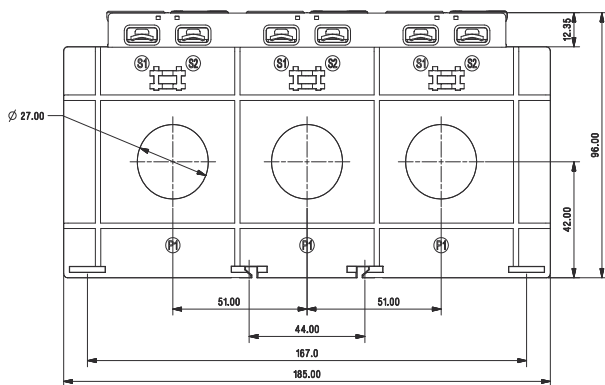
OUTPUT:

5 A

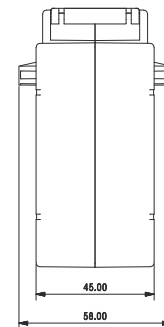
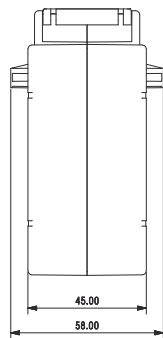
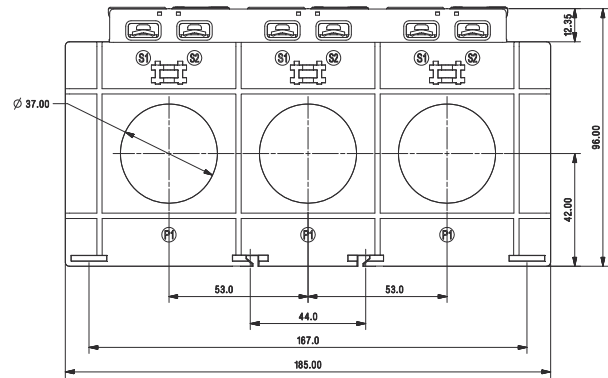


## DIMENSIONS

LCTP 185/27 (45)



LCTP 185/37 (45)

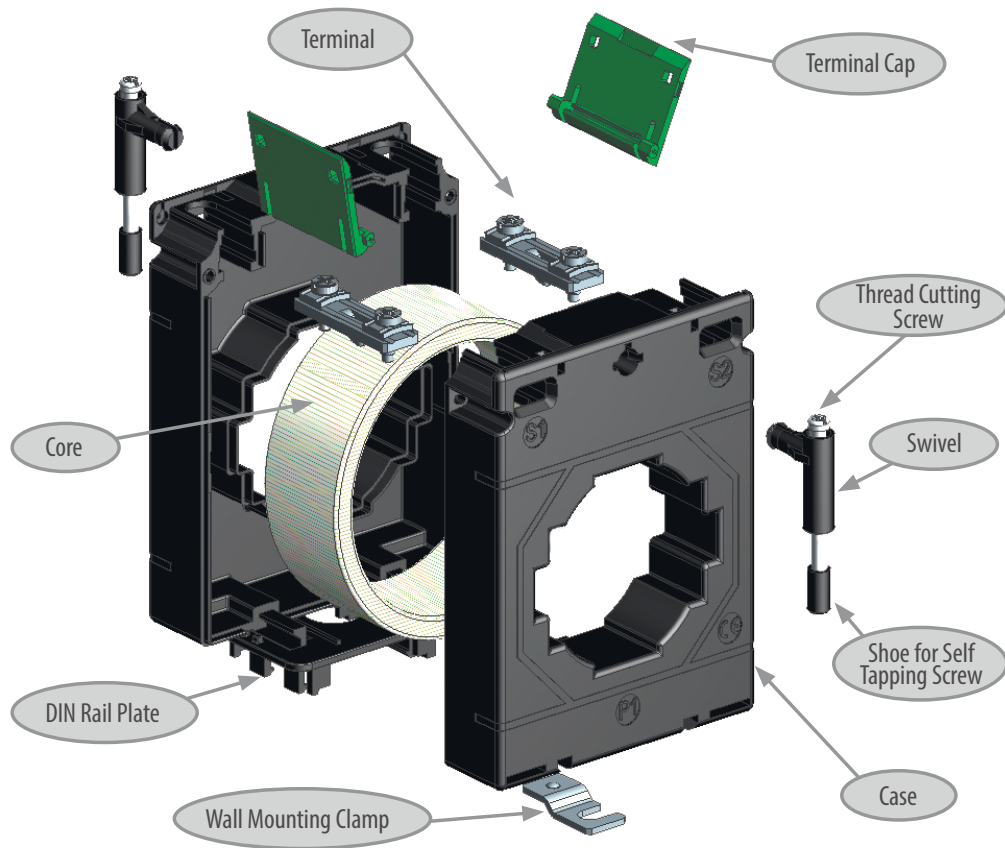


Transformer type	LCTP 185/27 (45)	LCTP 185/37 (45)
Accuracy class	1	1
Rated primary current	Transformer burden	
100 A	1.5 VA	-
150 A	1.5 VA	-
200 A	2.5 VA	-
250 A	2.5 VA	-
300 A	5 VA	2.5 VA
400 A	5 VA	5 VA
500 A	5 VA	5 VA
600 A	-	5 VA
800 A	-	5 VA

**ORDER**

Required data: transformer type/ primary current/ secondary current/ power/ accuracy class

Order example: LCTP 185/27 (45) 100/5 A, 1.5 VA, cl. 1



## DIN Rail Mounting Base:

(additional accessories - have to be order separately)

Order code	Transformer type	View
LH000-0904-130-123	LCTR 50 (30), LCTB 50 (30)	
LH000-0904-130-002	LCTR 45, LCTB 45	
LH000-0904-130-124	LCTM 62W, LCTM 74W LCTR 62, LCTB 62 (40), LCTB 74, LCTB 86, LCTB 100, LCTB 104	

Accessories	
Description	View
Thread cutting screw 4 x 35mm	
Thread cutting screw 4 x 45mm	
Thread cutting screw 4 x 75mm	
Wall mounting clamp	
Swivel	
Shoe for self tapping M4 screw	
Nut of M4 screw	
Locking pin	
Thread cutting screw M4 x 45 mm	

## Busbar mounting kit:

(delivered with each current transformer)

Kit order code	Description	No of pcs.	Transformer type
LH000-0904-130-140	Wall mounting clamp	2	LCTR 45, LCTB 45, LCTM 62W, LCTM 74W
LH000-0904-130-141	Thread cutting screw 4 x 35mm	2	LCTR 50, LCTB 50
	Wall mounting clamp	2	
	Swivel	2	
	Shoe for self tapping M4 screw	2	
LH000-0904-130-142	Thread cutting screw 4 x 45mm	2	LCTR 62, LCTB 62, LCTB 74, LCTB 86
	Wall mounting clamp	2	
	Swivel	2	
	Shoe for self tapping M4 screw	2	
LH000-0904-130-147	Thread cutting screw 4 x 35mm	6	LCTB 100/100 V, LCTB 100/130 V
	Wall mounting clamp	2	
	Shoe for self tapping M4 screw	6	
LH000-0904-130-143	Thread cutting screw 4 x 45mm	4	LCTB 104
	Wall mounting clamp	2	
	Swivel	4	
	Shoe for self tapping M4 screw	4	
LH000-0904-130-144	Thread cutting screw 4 x 75mm	4	LCTB 140/80, LCTB 140/100H, LCTB 140/100V
	Wall mounting clamp	2	
	Swivel	4	
	Shoe for self tapping M4 screw	4	
LH000-0904-130-145	Thread cutting screw 4 x 75mm	1	LCTB 140/130 V
	Thread cutting screw 4 x 45mm	5	
	Wall mounting clamp	2	
	Shoe for self tapping M4 screw	6	
LH000-0904-130-146	Thread cutting screw 4 x 75mm	6	LCTB 225
	Wall mounting clamp	2	
	Shoe for self tapping M4 screw	6	
LH000-0904-130-623	Thread cutting screw M4 x 45mm	4	LCTS 93/30SC
	Wall mounting clamp	2	
	Shoe for self tapping M4 screw	4	
	Locking pin	1	
	Nut of M4 screw	4	
LH000-0904-130-624	Thread cutting screw M4 x 45 mm	6	LCTS 125/50SC
	Wall mounting clamp	2	
	Shoe for self tapping M4 screw	6	
	Locking pin	1	
	Nut of M4 screw	6	
LH000-0904-130-625	Thread cutting screw M4 x 45 mm	8	LCTS 155/80SC
	Wall mounting clamp	2	
	Shoe for self tapping M4 screw	8	
	Locking pin	1	
	Nut of M4 screw	8	
LH000-0904-130-656	Thread cutting screw M4 x 45 mm	6	LCTP
	Wall mounting clamp	2	
	Shoe for self tapping M4 screw	6	
	Nut of M4 screw	6	



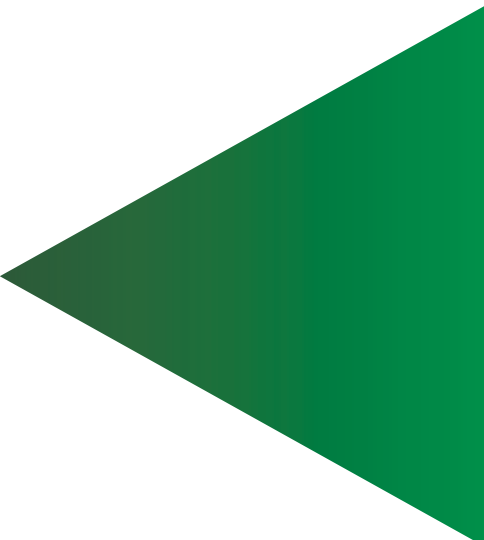
# LUMEL

EVERYTHING COUNTS

We are one of leading European manufacturers of electrical devices for automation and high pressure aluminium castings. We have been on the market since 1953. We have achieved our high position on the market due to continuous development policy, competence of our employees and modern equipment for research, design and production.

LUMEL S.A. is focused on 4 main activity fields:

- production of automatic devices for measurement, conversion, control and recording, transmission and visualization of various industrial processes;
- production and machining of high pressure castings and manufacturing of moulds and tools;
- design and manufacturing of control and measuring systems,
- SMT assembly, precision engineering and production of plastics parts.



We provide comprehensive solutions for various branches of industry: power industry, chemical industry, metallurgy, food industry, light industry, automotive industry, white industry and mining.

We have been working according to: ISO 9001:2008, ISO 14001:2004 and ISO/TS 16949.



february 2017



## LUMEL S.A.

ul. Sulechowska 1, 65-022 Zielona Góra, POLAND  
tel.: +48 68 45 75 100, fax +48 68 45 75 508  
[www.lumel.com.pl](http://www.lumel.com.pl)

## Export department:

tel.: (+48 68) 45 75 139, 45 75 233, 45 75 321, 45 75 386  
fax.: (+48 68) 32 54 091  
e-mail: [export@lumel.com.pl](mailto:export@lumel.com.pl)

**Please contact our distributor:**